



ACION 8000 Series

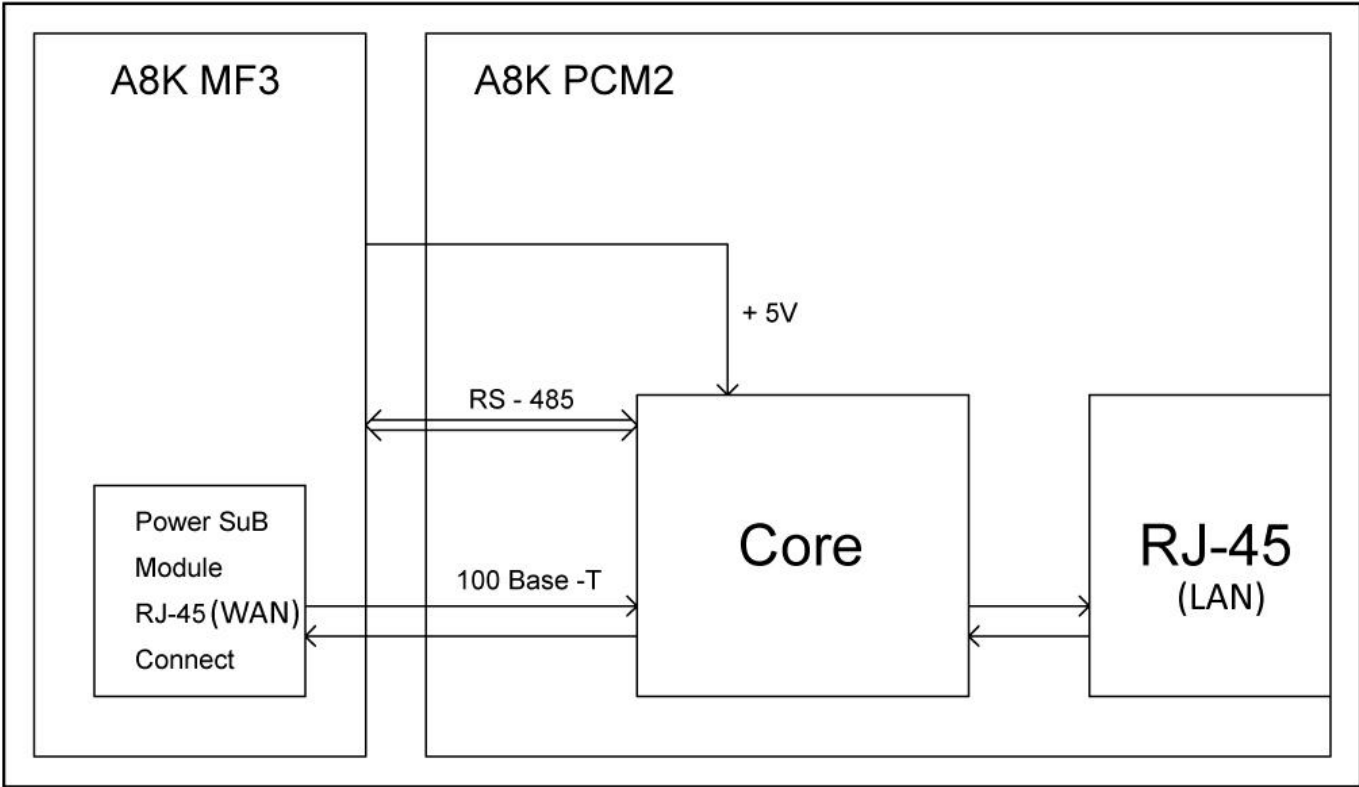
A8KPCM2 – Platform Control Module

A8KPCM2 –The Enhanced Platform Control Module is used for configuration monitoring and setting the ACION 8000 plug-in application modules by web browser. The RJ45 web port can be used for local monitoring with a computer. The A8KPCM2 module can also be used for remote monitoring by HMS or SNMP. The smart mechanical design makes easy installation of the A8KPCM2 without occupying the plug-in application module space. The LCD display module is optional for local control of the A8KPCM2 by using a key pad on the front panel.

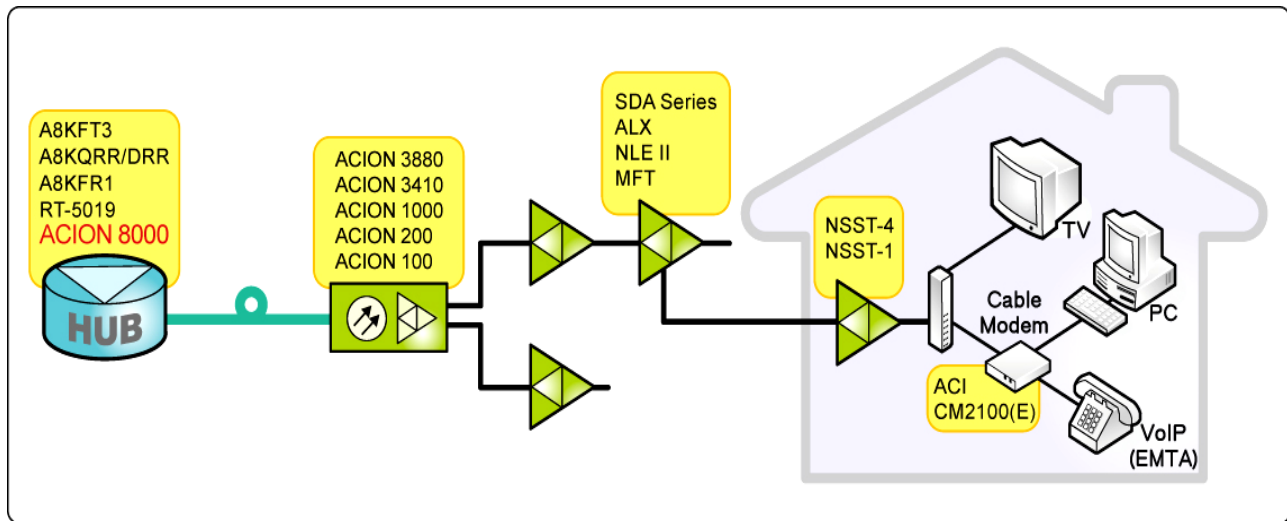
Features

- ◆ Direct Web-based local control
- ◆ Hot-swappable
- ◆ Remote management from Internet
- ◆ Remote monitoring by HMS or SNMP
- ◆ Up to 192 modules can be monitored and controlled with one (1) Control module
- ◆ Firmware update by Ethernet
- ◆ LCD display module (optional)

Block Diagram



Application



Specifications

ACI		ACION8000 Series		
		A8KPCM2 - Enhanced Platform Control Module		
PARAMETERS	CONDITIONS	UNITS	SPECIFICATIONS	NOTES
Specifications				
RJ45 Port			Ethernet	
Environment				
A8KPCM2 Dimensions	HxWxD	(mm)	128.3 x 106.2 x 406.1	
Operating Temperature		°F (°C)	32 to 122 (0 to 50)	
Relative Humidity	Non-condensing	%	0 - 95	
LCD Module(Optional)				
Resolution		dots	128 x 64	
Screen Size		mm	62 x 44	
Dimension		mm	78 x 70 x 12.1	

Note: A laptop computer with Ethernet port is needed to operate the A8KPCM2 without LCD module.

Ordering Matrix

A8KPCM2 Configuration Sheet

Customer: _____

Created By: _____ Order Date: _____

ORDERING MATRIX

September 23, 2013

Position		1
PART NUMBER	A8KPCM2	

1

Display option

" (blank) = No LCD display module

L = with LCD display module

NOTES:



ACI Communications, Inc.
23307 66th Avenue South
Kent, WA 98032

Rev C 11-15-2015 Printed in U.S.A.
ACI Communications, Inc. reserves the right to discontinue the
manufacture or change specifications without prior notice on any
parts illustrated in this data sheet. Registered trademarks are the
property of their respective owner