



ACION 8000 Series

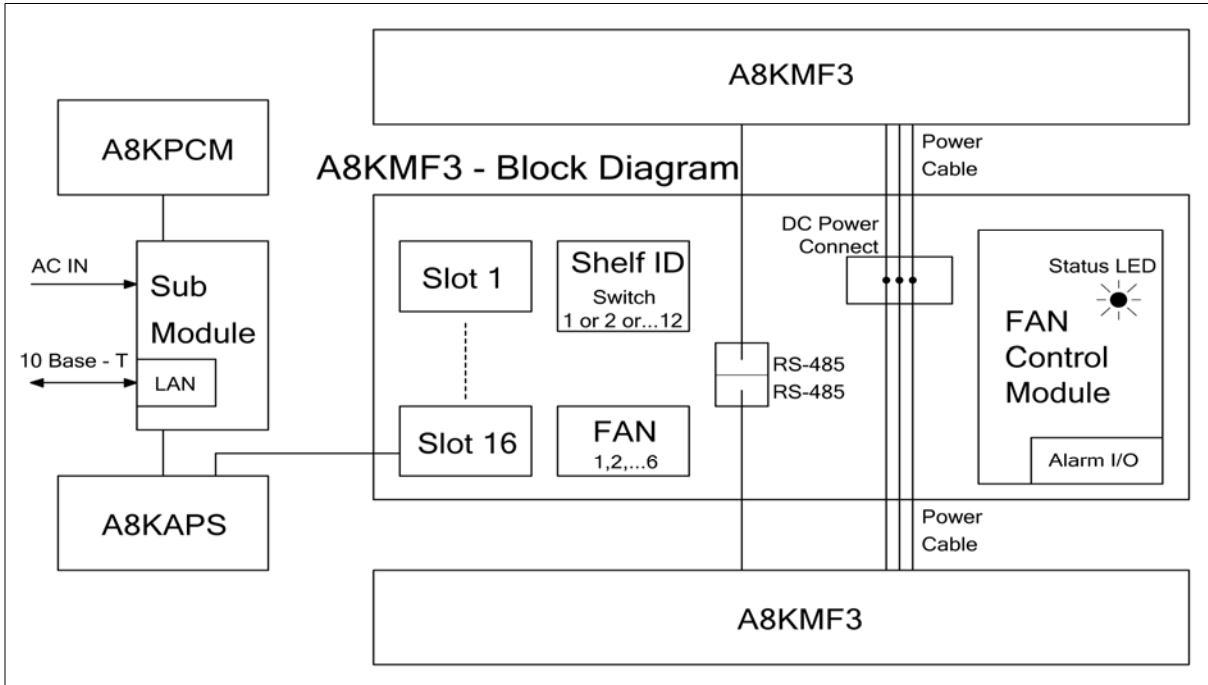
A8KMF3-3RU Main Frame

The A8KMF3-3RU Main Frame is a 3-inch rack-unit chassis that provides up to 16 slots which can accommodate the ACION8000 Headend series plug-in, application and power supply modules. The Shelf ID can be set by the dip switch (12 bit) when multi Main Frames are controlled by one A8KPCM platform controller. The Fan controller monitors the fan status and responds to A8KPCM. The DC power connector can provide the DC power to the next A8KMF3. The RS485 I/O port can also be the interface to another A8KMF3. The alarm I/O can provide the alarm signal to the equipment control center.

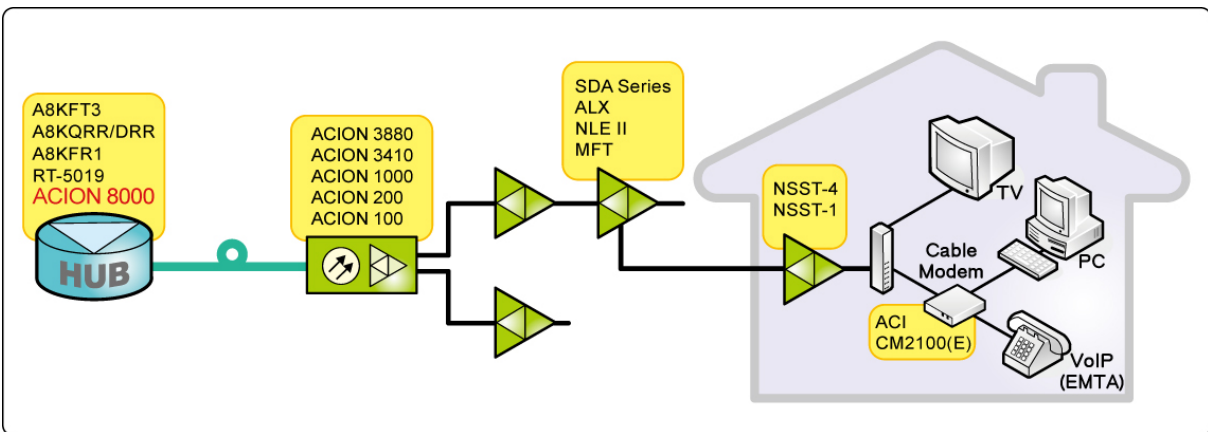
Features

- ◆ Designed for maximum density and flexibility:
Up to 12 plug-in application modules, 2 power supplies and 1 control module in the 3RU housing
- ◆ Convenient Plug-and-Play
- ◆ Simple insertion and removal of modules without the use of special tools
- ◆ Six hot-swap cooling fans
- ◆ Including A8KSUB module

Block Diagrams



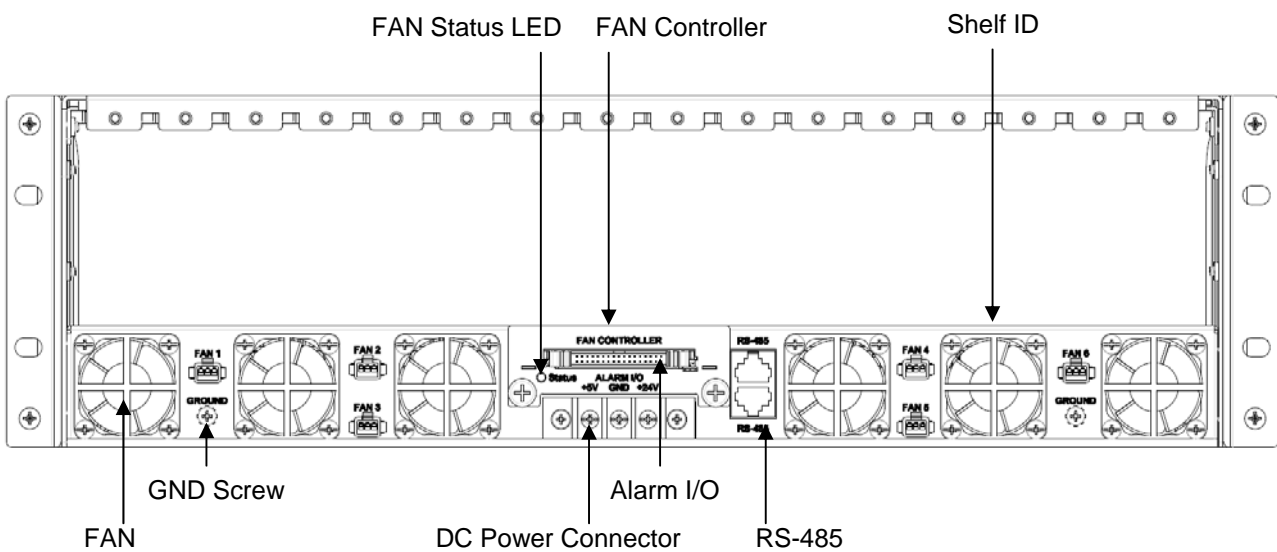
Application



Specifications

ACI		ACION 8000 Series A8KAPS AC Power Supply		
PARAMETERS	CONDITIONS	UNITS	SPECIFICATIONS	NOTES
Input Specifications				
Input Voltage	AC	V	90 to 240	
Output Specifications				
Output current	+24VDC	A	8.4	
	+5VDC	A	3.6	
Output power	Max.	W	220	
Output voltage ripple	Peak to peak	mV	100	
Power Factor	Max.	%	95	
Efficiency	Max.	%	82	
General Specifications				
Module width		slot	2	
Dimensions	D X H X W	In (mm)	14.2 x 4.9 x 1.6 (359 x 123 x 40)	
Weight		lbs (kg)	3.3 (1.5)	
Operating Temperature		°F (°C)	32 to 122 (0 to 50)	
Relative humidity		%	0 to 95	

A8KMF3 Rear Panel



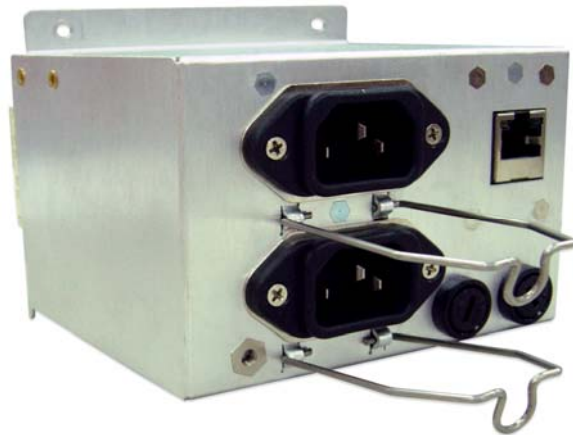
Item	Name	Description
1	FAN	Total 6 sets(8.9 CFM), hot swappable
2	GND Screws	Ground connection
3	FAN Controller	A8KMF3 FAN Controller PCB, hot swappable
4	Alarm I/O	16 functional modules and 1 main frame alarm output pin. Alarm: high / Normal: low
5	FAN Status LED	FAN status monitoring, Normal: Green / Alarm: Red
6	DC Power Connector	+24Vdc, +5V dc and ground. DC power output to next A8KMF3 Mainframe <ul style="list-style-type: none"> - Input rating: DC 24 ± 0.5 V / 9 A, DC 5 ± 0.25 V / 6 A - Output rating: DC 24 ± 0.5 V / 9 A, DC 5 ± 0.25 V / 3.5 A - Please use ACI DC cable(P/N: 1076080002020), the diameter: >1.5mm. - For connection only to another A8KMF3 series - This connector supplies power to another A8KMF3 or be supplied power form another A8KMF3
7	RS-485	RS-485 I/O, interface to other A8KMF3.
8	Shelf ID	Setting A8KMF3 Shelf ID By RS-485 interface, it can interconnect multiple A8KMF3 at one site for single point control from an A8KPCM. Each A8KMF3 need the different Shelf ID setting. Turn to button up for "ON" Example: Setting Shelf ID to 10

A8KSUB Module options

1. A8KSUB-AC



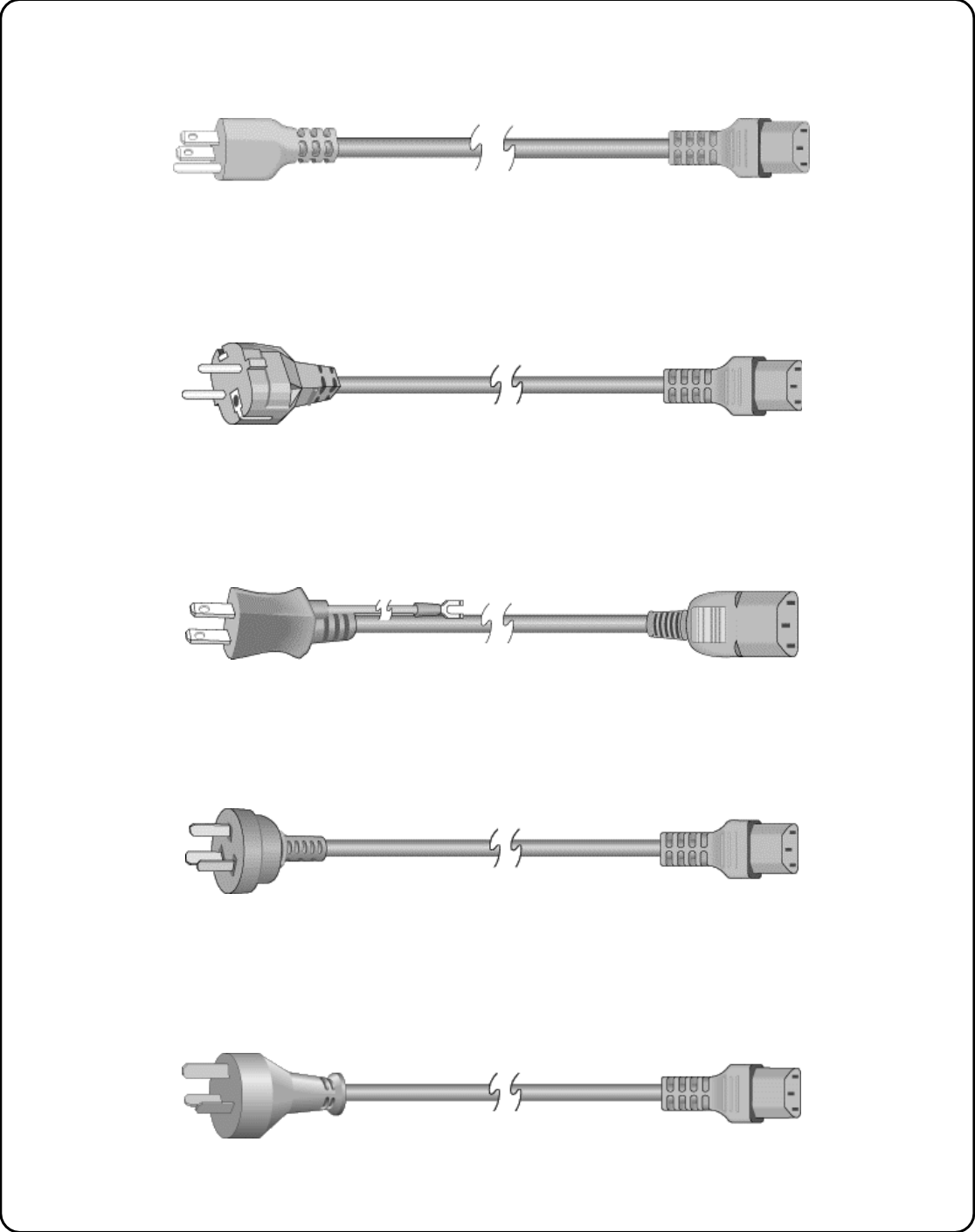
2. A8KSUB-2AC



3. A8KSUB-2DC



Power Card Sets



Ordering Matrix

A8KMF3 Configuration Sheet					
Customer: _____					
Created By: _____					
ORDERING MATRIX					2014/1/13
Position		1	2		3
PART NUMBER	A8KMF3	—			—
1~2	<input type="text"/>	Submodule type: 00 = No submodule 1A = Single AC power supply (APS) submodule 2A = Dual AC power supply (APS) submodule 1D = Single DC power supply (DPS) submodule 2D = Dual DC power supply (DPS) submodule			
3	<input type="text"/>	Power cord type: 0 = without power cord 1 = with North America power cord 2 = with Europe power cord 3 = with Japan power cord 4 = with Australia power cord 5 = with Argentina power cord			
NOTES:					



ACI Communications, Inc.
 23307 66th Avenue South
 Kent, WA 98032

Rev J 10-06-2015 Printed in U.S.A.
 ACI Communications, Inc. reserves the right to discontinue the manufacture or change specifications without prior notice on any parts illustrated in this data sheet. Registered trademarks are the property of their respective owner